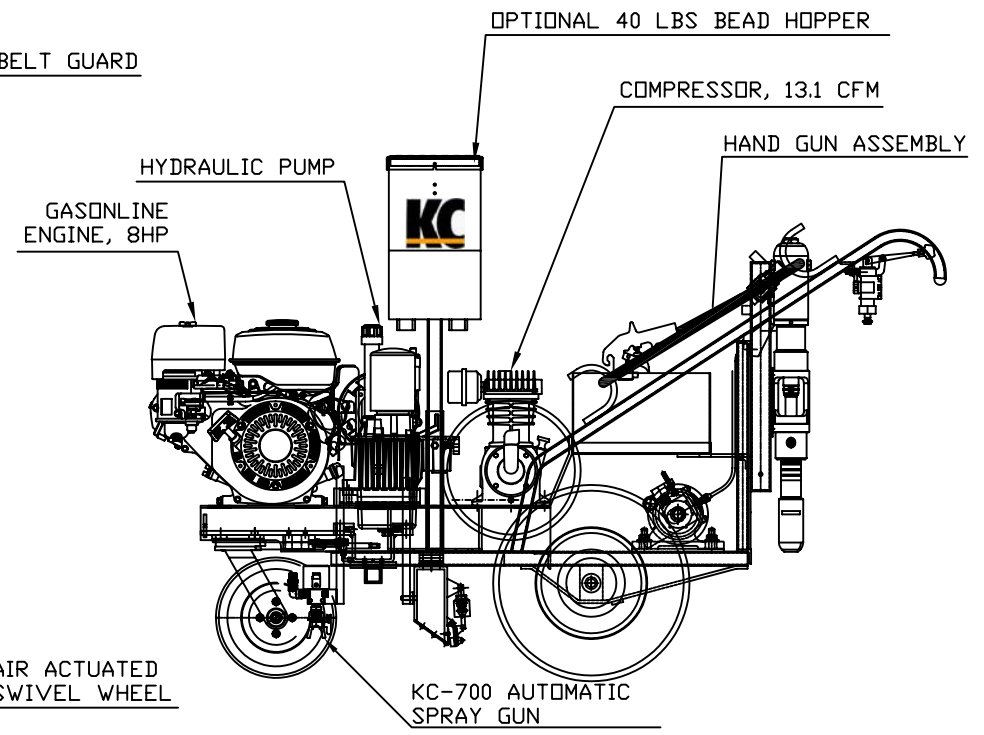
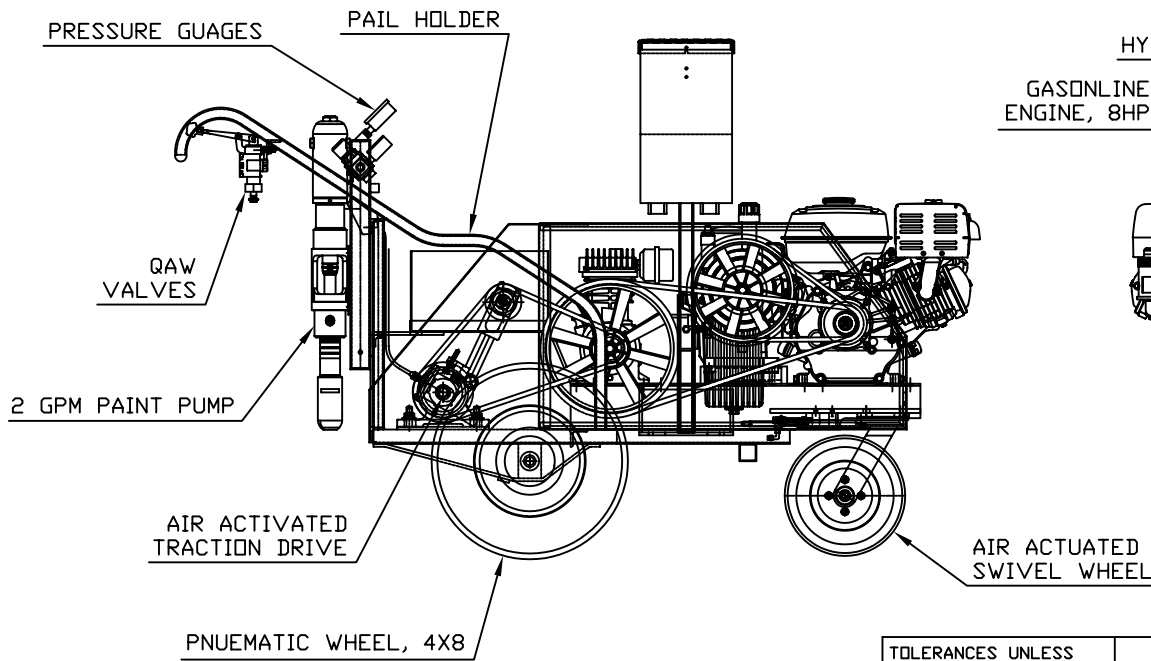


PORTABLE MACHINE TIPS (KC-700)	
TIP NUMBER	LINE SIZE AND RECOMMENDED USAGE
HDPT-203	2" ATHLETIC LINE AND SMALL STENCILS
HDPT-211	2-4" ATHLETIC (LIGHT FILM THICKNESS)
HDPT-217	4-6" LINE (MEDIUM FILM THICKNESS)
HDPT-219*	4-6" LINE (NORMAL FILM THICKNESS)
HDPT-315	4-8" LINE/CURBS/STENCILS (LIGHT FILM THICKNESS)
HDPT-317	4-8" LINE/CURBS/STENCILS (MEDIUM FILM THICKNESS)
HDPT-319	4-8" LINE/CURBS/STENCILS (NORMAL FILM THICKNESS)
HDPT-517*	10-12" GENERAL SPRAYING AND LARGE STENCILS
HDPT-621	10-14" STOP BARS/STENCILS (HEAVY FILM THICKNESS)
HDPT-721	12-14" STOP BARS/STENCILS/24" LINE W/ 2 GUNS
HDPT-725	12-14" STOP BARS/ STENCILS/24" LINE W/ 2 GUNS (HEAVY FILM)
HDPT-01	TIP GUARD

\*INCLUDED WITH EACH GUN

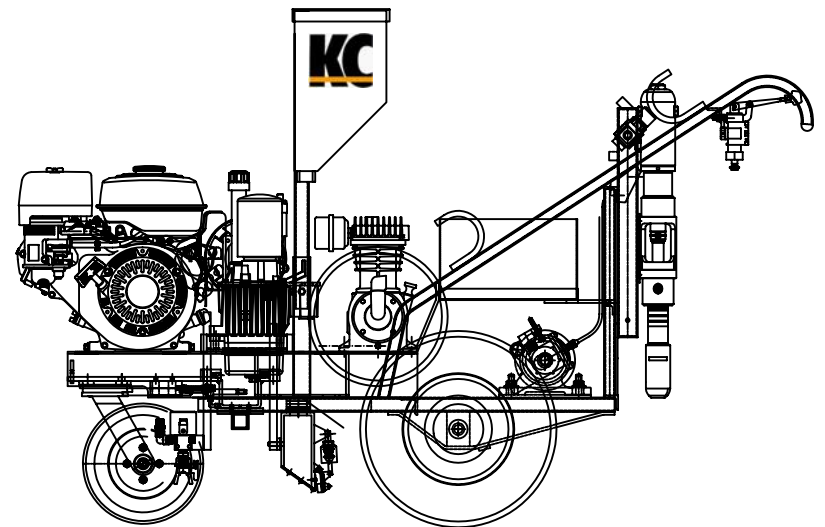
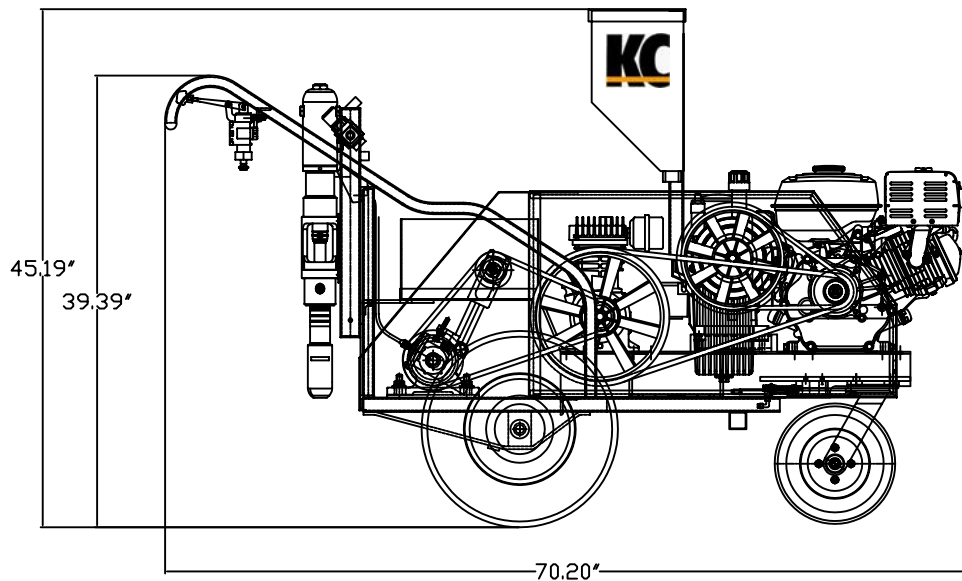
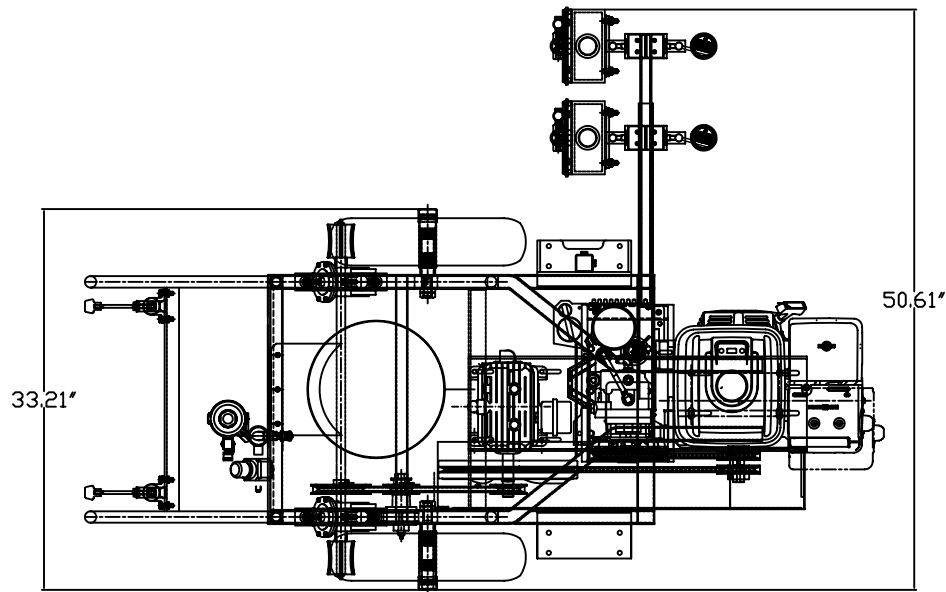


TOLERANCES UNLESS OTHERWISE SPECIFIED:  
 Angular ±2°  
 Fractional ±1/16"  
 .X= ±1  
 .XX=±.01  
 .XXX=±.005  
 .XXXX=±.0015

CONFIDENTIAL  
 THIS DOCUMENT, INCLUDING ALL INFORMATION HEREIN, IS THE EXCLUSIVE AND CONFIDENTIAL PROPERTY OF ERNEST INDUSTRIES. THEREFORE THIS DOCUMENT IS NOT TO BE COPIED, REPRODUCED, OR DELIVERED TO OTHERS WITHOUT THE EXPRESS WRITTEN PERMISSION OF ERNEST INDUSTRIES.

Kelly-Creswell  
 1221 Groop Rd.  
 Springfield, OH 45504  
 937-325-3978  
**KC** Since 1937  
 DRAWN BY CDW  
 DATE 10/29/10  
 APPROVED BY  
 DATE APPROVED

TITLE: POWER STROKE  
 DESCRIPTION: GENERAL DETAILS  
 DWG NO./PART NO. PO-HPS-2  
 SCALE: NA SIZE: A PAGE #: 1-3 REV: E



TOLERANCES UNLESS OTHERWISE SPECIFIED:  
 Angular  $\pm 2^\circ$   
 Fractional  $\pm 1/16"$   
 .X =  $\pm 1$   
 .XX =  $\pm 0.1$   
 .XXX =  $\pm 0.005$   
 .XXXX =  $\pm 0.0015$

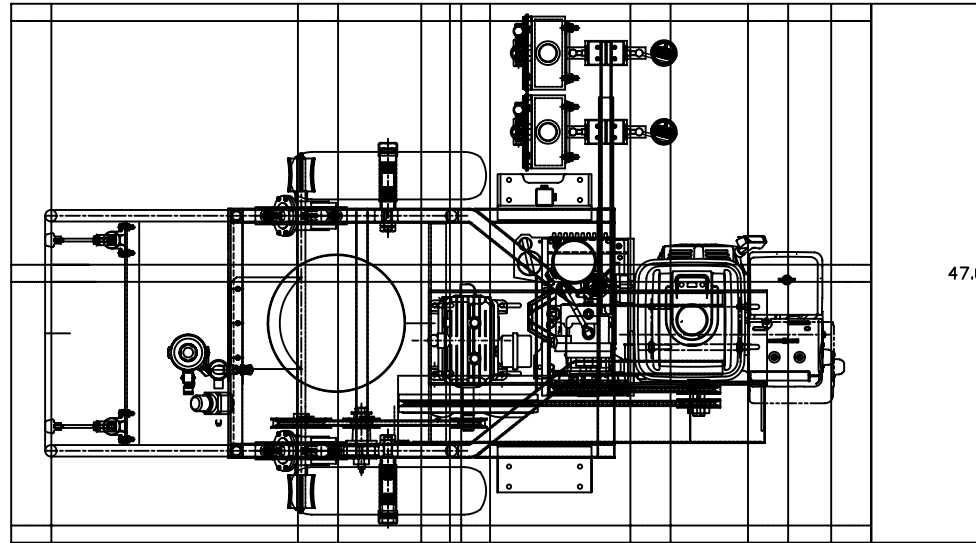
CONFIDENTIAL  
 THIS DOCUMENT, INCLUDING ALL INFORMATION HEREIN, IS THE EXCLUSIVE AND CONFIDENTIAL PROPERTY OF ERNEST INDUSTRIES. THEREFORE THIS DOCUMENT IS NOT TO BE COPIED, REPRODUCED, OR DELIVERED TO OTHERS WITHOUT THE EXPRESS WRITTEN PERMISSION OF ERNEST INDUSTRIES.

Kelly-Creswell  
 1221 Groop Rd.  
 Springfield, OH 45504  
 937-325-3978

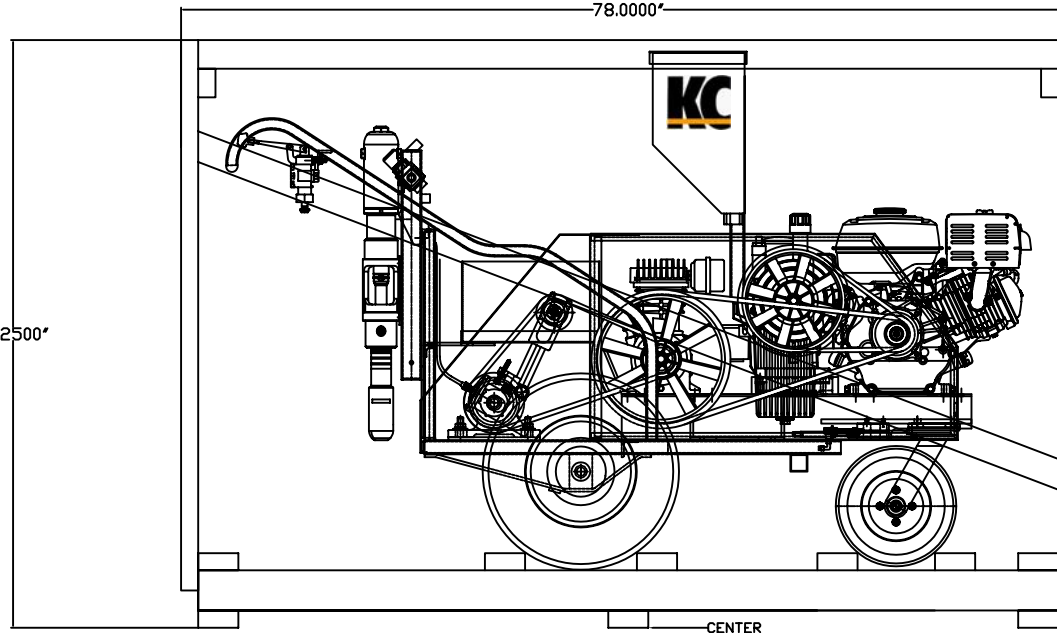


DRAWN BY CDW	DATE 10/29/10
APPROVED BY	DATE APPROVED

TITLE: <b>POWER STROKE</b>			
DESCRIPTION: <b>GENERAL DIMENSIONS</b>			
DWG NO./PART NO. PO-HPS-2		PAGE #: 2-3	REV: E
SCALE: NA	SIZE: A		



47.0000"



51.2500"

78.0000"

CENTER

LENGTH (INCHES)	78"
WIDTH (INCHES)	47"
HEIGHT (INCHES)	51.25"
EST. SHIPPING WEIGHT	400 LBS
APPROX. CUBIC FEET	105'

TOLERANCES UNLESS OTHERWISE SPECIFIED:  
 Angular  $\pm 2^\circ$   
 Fractional  $\pm 1/16"$   
 .X =  $\pm 1$   
 .XX =  $\pm 0.1$   
 .XXX =  $\pm 0.005$   
 .XXXX =  $\pm 0.0015$

CONFIDENTIAL  
 THIS DOCUMENT, INCLUDING ALL INFORMATION HEREIN, IS THE EXCLUSIVE AND CONFIDENTIAL PROPERTY OF ERNEST INDUSTRIES. THEREFORE THIS DOCUMENT IS NOT TO BE COPIED, REPRODUCED, OR DELIVERED TO OTHERS WITHOUT THE EXPRESS WRITTEN PERMISSION OF ERNEST INDUSTRIES.

Kelly-Creswell  
 1221 Groop Rd.  
 Springfield, OH 45504  
 937-325-3978



DRAWN BY	DATE
CDW	10/29/10
APPROVED BY	DATE APPROVED

TITLE:  
**POWER STROKE**  
 DESCRIPTION:  
**SHIPPING DIMENSIONS**

DWG NO./PART NO.			
PO-HPS-2			
SCALE:	SIZE:	PAGE #:	REV:
NA	A	3-3	E