

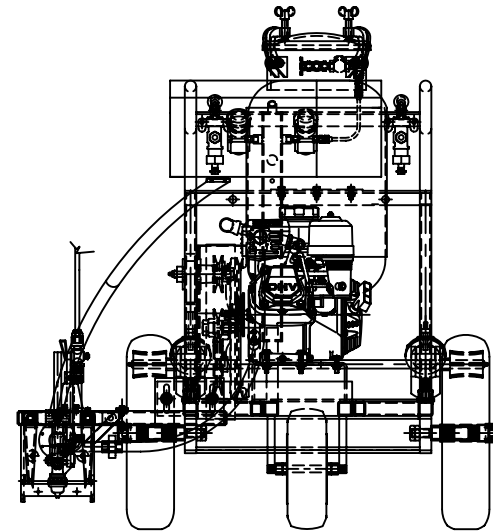
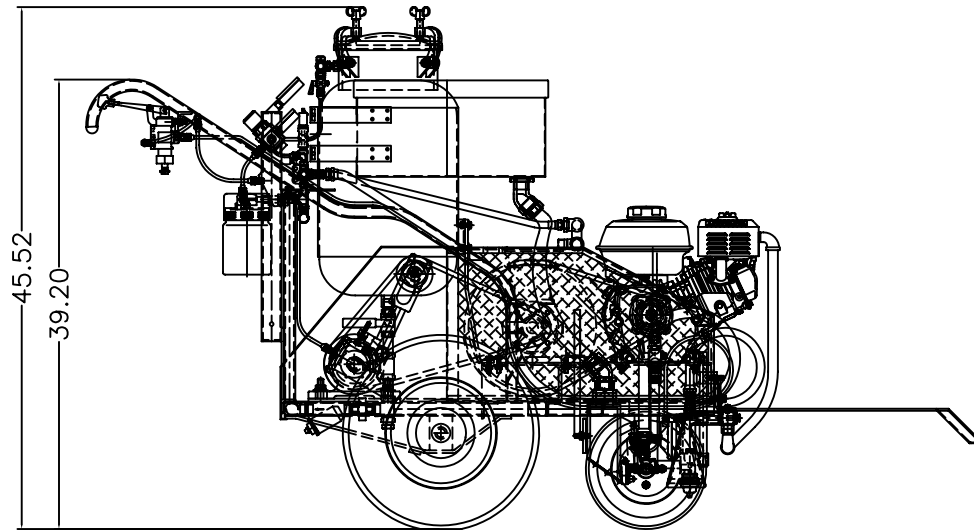
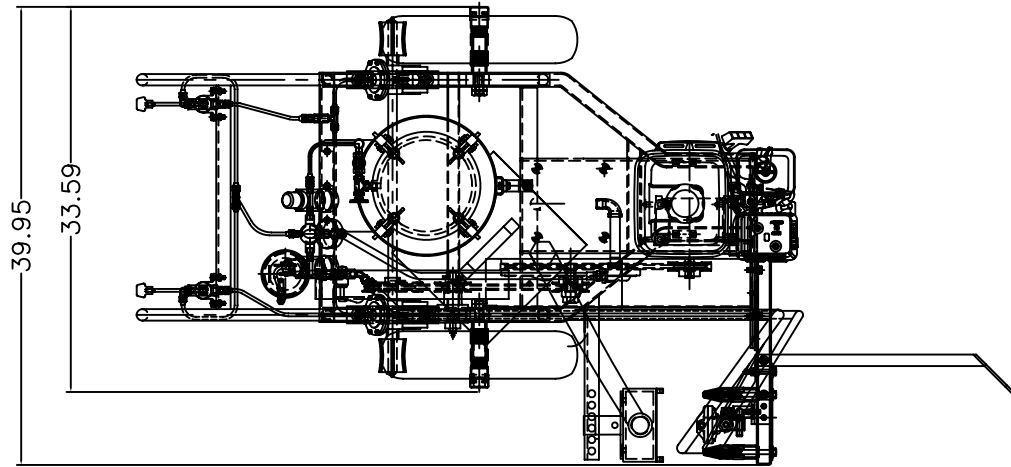
TOLERANCES UNLESS OTHERWISE SPECIFIED:
 Angular $\pm 2'$
 Fractional $\pm 1/16''$
 .X = $\pm .1$
 .XX = $\pm .01$
 .XXX = $\pm .005$
 .XXXX = $\pm .0015$

CONFIDENTIAL
 THIS DOCUMENT, INCLUDING ALL INFORMATION HEREIN, IS THE EXCLUSIVE AND CONFIDENTIAL PROPERTY OF ERNEST INDUSTRIES. THEREFORE THIS DOCUMENT IS NOT TO BE COPIED, REPRODUCED, OR DELIVERED TO OTHERS WITHOUT THE EXPRESS WRITTEN PERMISSION OF ERNEST INDUSTRIES.

Kelly-Creswell
 1221 Groop Rd.
 Springfield, OH 45504
 937-325-3978
KC Since 1937

DRAWN BY CDW	DATE 11-8-10
APPROVED BY	DATE APPROVED

TITLE: HEAVY-DUTY C WITH TRACTION			
DESCRIPTION: GENERAL CALLOUTS			
DWG NO./PART NO. AC-1051-6-T7		SCALE: N/A	SIZE: A
PAGE #: 1-3	REV: A		



TOLERANCES UNLESS OTHERWISE SPECIFIED:
 Angular $\pm 2'$
 Fractional $\pm 1/16''$
 .X = $\pm .1$
 .XX = $\pm .01$
 .XXX = $\pm .005$
 .XXXX = $\pm .0015$

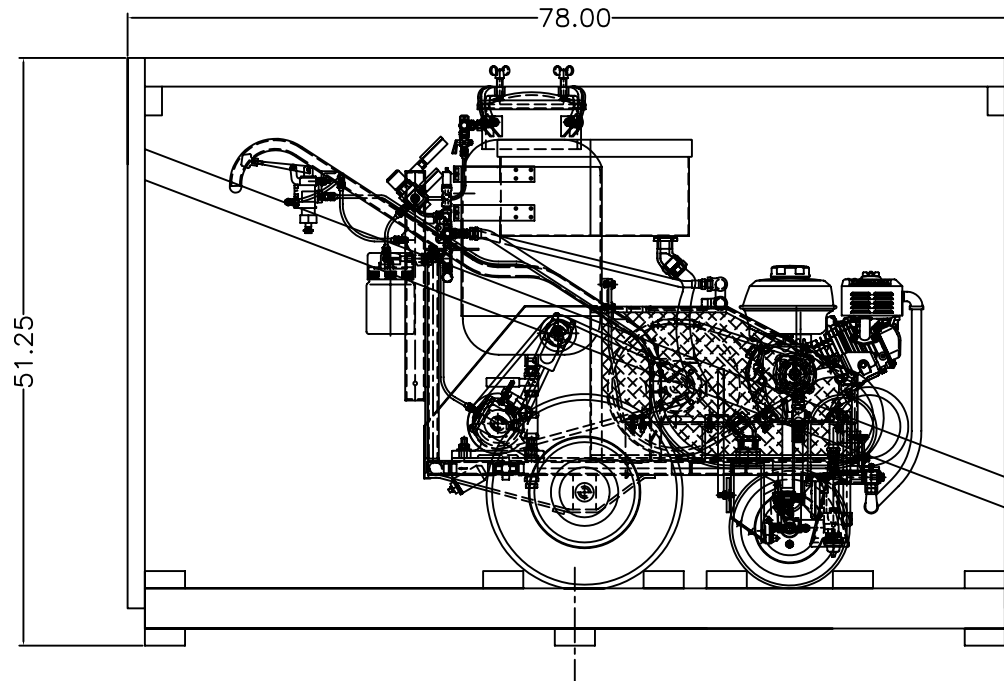
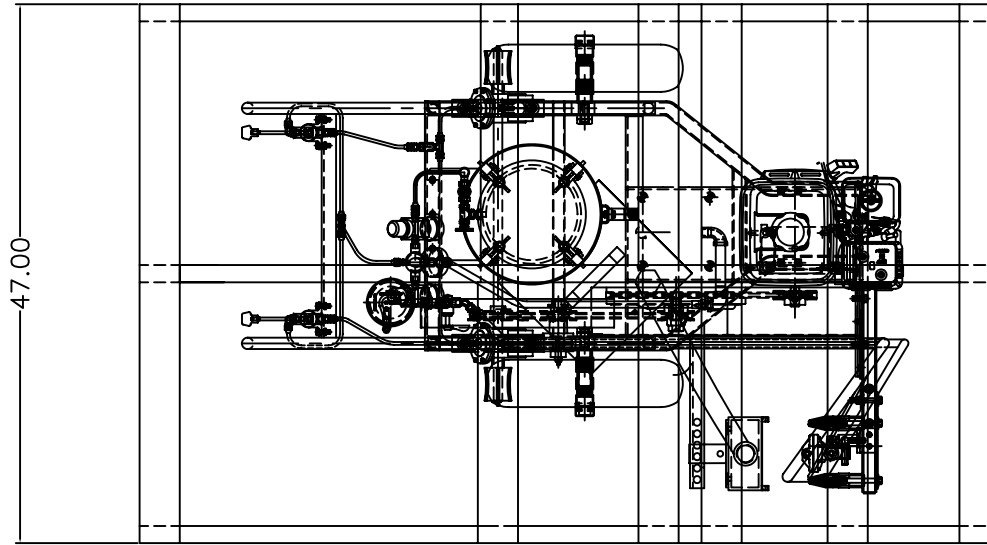
CONFIDENTIAL
 THIS DOCUMENT, INCLUDING ALL INFORMATION HEREIN, IS THE EXCLUSIVE AND CONFIDENTIAL PROPERTY OF ERNEST INDUSTRIES. THEREFORE THIS DOCUMENT IS NOT TO BE COPIED, REPRODUCED, OR DELIVERED TO OTHERS WITHOUT THE EXPRESS WRITTEN PERMISSION OF ERNEST INDUSTRIES.

Kelly-Creswell
 1221 Groop Rd.
 Springfield, OH 45504
 937-325-3978



DRAWN BY CDW	DATE 11-8-10
APPROVED BY	DATE APPROVED

TITLE: HEAVY-DUTY C WITH TRACTION			
DESCRIPTION: BASIC DIMENSIONS			
DWG NO./PART NO. AC-1051-6-T7		PAGE #: 2-3	REV: A
SCALE: N/A	SIZE: A		



LENGTH (INCHES)	78"
WIDTH (INCHES)	47"
HEIGHT (INCHES)	51.25"
EST. SHIPPING WEIGHT	400 LBS
APPROX. CUBIC FEET	105'

TOLERANCES UNLESS OTHERWISE SPECIFIED:
 Angular $\pm 2'$
 Fractional $\pm 1/16"$
 .X = $\pm .1$
 .XX = $\pm .01$
 .XXX = $\pm .005$
 .XXXX = $\pm .0015$

CONFIDENTIAL
 THIS DOCUMENT, INCLUDING ALL INFORMATION HEREIN, IS THE EXCLUSIVE AND CONFIDENTIAL PROPERTY OF ERNEST INDUSTRIES. THEREFORE THIS DOCUMENT IS NOT TO BE COPIED, REPRODUCED, OR DELIVERED TO OTHERS WITHOUT THE EXPRESS WRITTEN PERMISSION OF ERNEST INDUSTRIES.

Kelly-Creswell
 1221 Groop Rd.
 Springfield, OH 45504
 937-325-3978



DRAWN BY CDW	DATE 11-8-10
APPROVED BY	DATE APPROVED

TITLE: HEAVY-DUTY C WITH TRACTION			
DESCRIPTION: SHIPPING DIMENSIONS			
DWG NO./PART NO. AC-1051-6-T7			
SCALE: N/A	SIZE: A	PAGE #: 3-3	REV: A