

TOLERANCES UNLESS OTHERWISE SPECIFIED:  
 Angular  $\pm 2^\circ$   
 Fractional  $\pm 1/16"$   
 .X =  $\pm 1$   
 .XX =  $\pm 0.01$   
 .XXX =  $\pm 0.005$   
 .XXXX =  $\pm 0.0015$

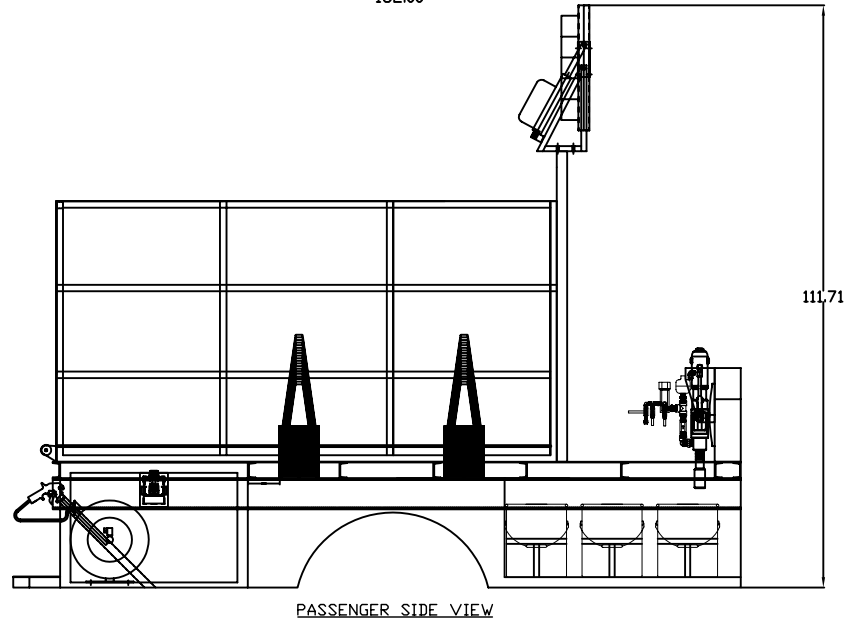
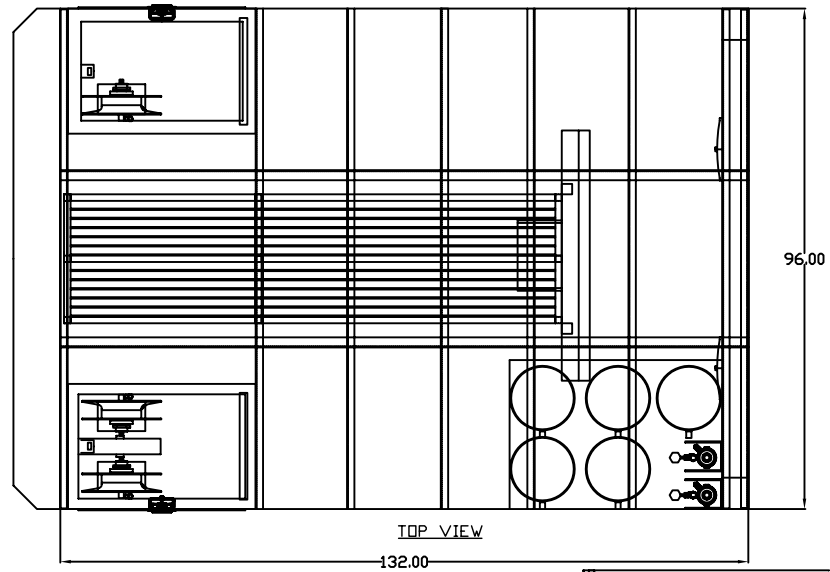
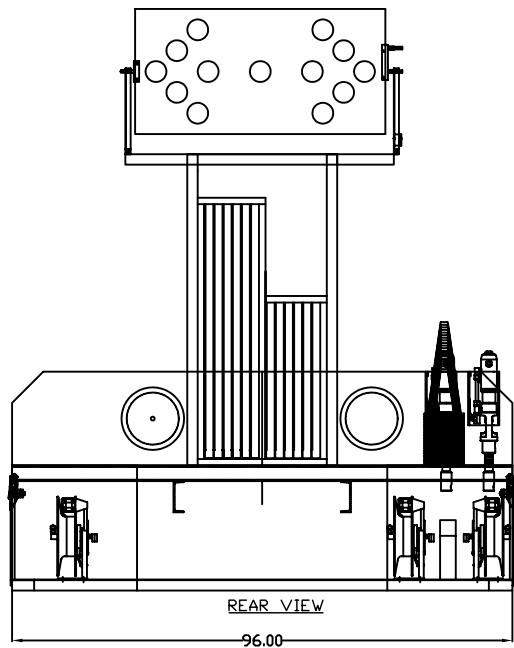
CONFIDENTIAL  
 THIS DOCUMENT, INCLUDING ALL INFORMATION HEREIN, IS THE EXCLUSIVE AND CONFIDENTIAL PROPERTY OF ERNEST INDUSTRIES. THEREFORE THIS DOCUMENT IS NOT TO BE COPIED, REPRODUCED, OR DELIVERED TO OTHERS WITHOUT THE EXPRESS WRITTEN PERMISSION OF ERNEST INDUSTRIES.

Kelly-Creswell  
 1221 Groop Rd.  
 Springfield, OH 45504  
 937-325-3978



DRAWN BY CDW	DATE 11-30-10
APPROVED BY	DATE APPROVED

TITLE: <b>WV-6 STENCIL TRUCK</b>			
DESCRIPTION: <b>GENERAL DETAILS</b>			
DWG NO./PART NO. TBD			
SCALE: N/A	SIZE: A	PAGE #: 1-3	REV: A



TOLERANCES UNLESS OTHERWISE SPECIFIED:  
 Angular  $\pm 2^\circ$   
 Fractional  $\pm 1/16"$   
 .X =  $\pm 1$   
 .XX =  $\pm 0.1$   
 .XXX =  $\pm 0.005$   
 .XXXX =  $\pm 0.0015$

CONFIDENTIAL  
 THIS DOCUMENT, INCLUDING ALL INFORMATION HEREIN, IS THE EXCLUSIVE AND CONFIDENTIAL PROPERTY OF ERNEST INDUSTRIES. THEREFORE THIS DOCUMENT IS NOT TO BE COPIED, REPRODUCED, OR DELIVERED TO OTHERS WITHOUT THE EXPRESS WRITTEN PERMISSION OF ERNEST INDUSTRIES.

Kelly-Creswell  
 1221 Groop Rd.  
 Springfield, OH 45504  
 937-325-3978

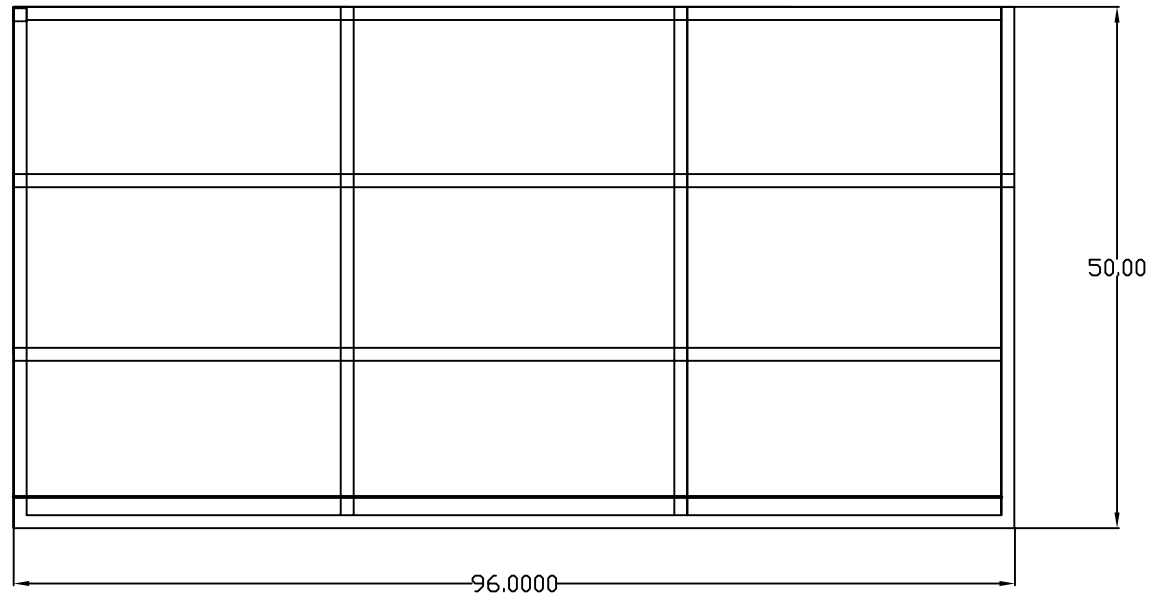
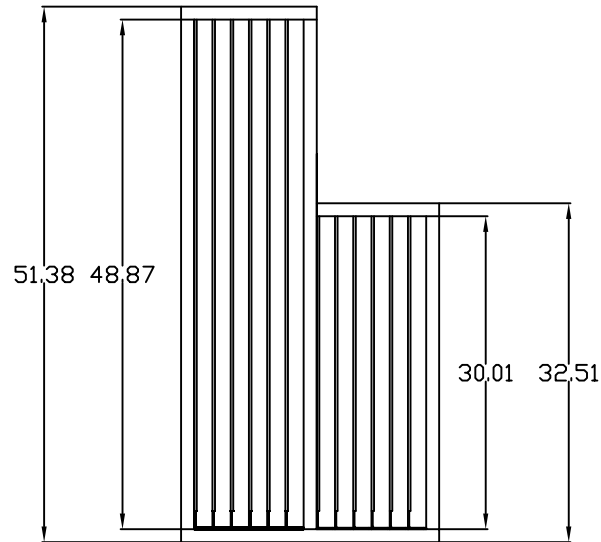
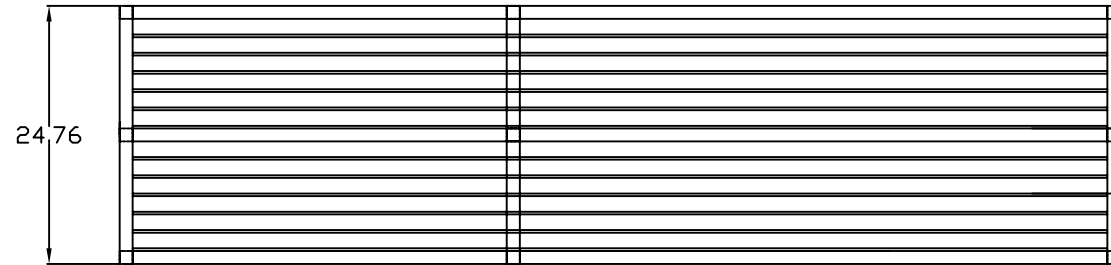


DRAWN BY CDW	DATE 11-30-10
APPROVED BY	DATE APPROVED

TITLE:  
**WV-6 STENCIL TRUCK**

DESCRIPTION:  
**GENERAL DIMENSIONS**

DWG NO./PART NO. TBD		SCALE: N/A	SIZE: A	PAGE #: 2-3	REV: A
-------------------------	--	---------------	------------	----------------	-----------



TOLERANCES UNLESS OTHERWISE SPECIFIED:  
 Angular  $\pm 2^\circ$   
 Fractional  $\pm 1/16'$   
 .X =  $\pm 1$   
 .XX =  $\pm 0.1$   
 .XXX =  $\pm 0.005$   
 .XXXX =  $\pm 0.0015$

CONFIDENTIAL  
 THIS DOCUMENT, INCLUDING ALL INFORMATION HEREIN, IS THE EXCLUSIVE AND CONFIDENTIAL PROPERTY OF ERNEST INDUSTRIES. THEREFORE THIS DOCUMENT IS NOT TO BE COPIED, REPRODUCED, OR DELIVERED TO OTHERS WITHOUT THE EXPRESS WRITTEN PERMISSION OF ERNEST INDUSTRIES.

Kelly-Creswell  
 1221 Groop Rd.  
 Springfield, OH 45504  
 937-325-3978



DRAWN BY CDW	DATE 11-30-10
APPROVED BY	DATE APPROVED

TITLE: WV-6 STENCIL TRUCK			
DESCRIPTION: GENERAL RACK DIMENSIONS			
DWG NO./PART NO. TBD			
SCALE: N/A	SIZE: A	PAGE #: 3-3	REV: A