

TOLERANCES UNLESS OTHERWISE SPECIFIED:  
 Angular  $\pm 2^\circ$   
 Fractional  $\pm 1/16"$   
 .X =  $\pm 1$   
 .XX =  $\pm 0.1$   
 .XXX =  $\pm 0.005$   
 .XXXX =  $\pm 0.0015$

CONFIDENTIAL  
 THIS DOCUMENT, INCLUDING ALL INFORMATION HEREIN, IS THE EXCLUSIVE AND CONFIDENTIAL PROPERTY OF ERNEST INDUSTRIES. THEREFORE THIS DOCUMENT IS NOT TO BE COPIED, REPRODUCED, OR DELIVERED TO OTHERS WITHOUT THE EXPRESS WRITTEN PERMISSION OF ERNEST INDUSTRIES.

Kelly-Creswell  
 1221 Groop Rd.  
 Springfield, OH 45504  
 937-325-3978



DRAWN BY  
 CDW

DATE  
 11/01/10

APPROVED BY  
 DATE APPROVED

TITLE:

POWER PRO

DESCRIPTION:

GENERAL DETAILS

DWG NO./PART NO.

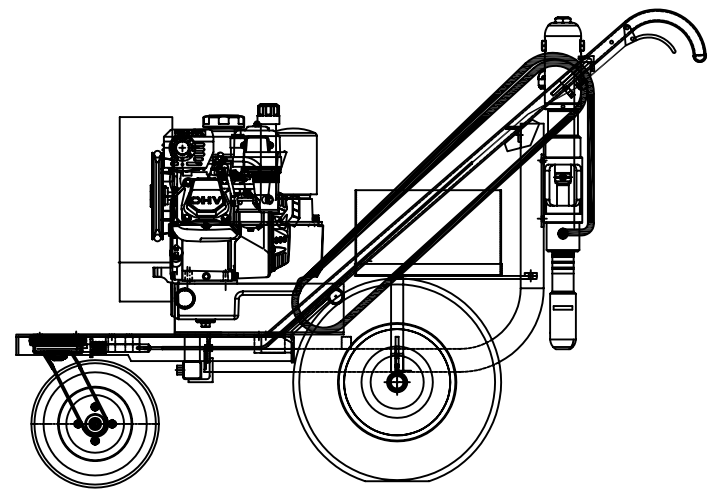
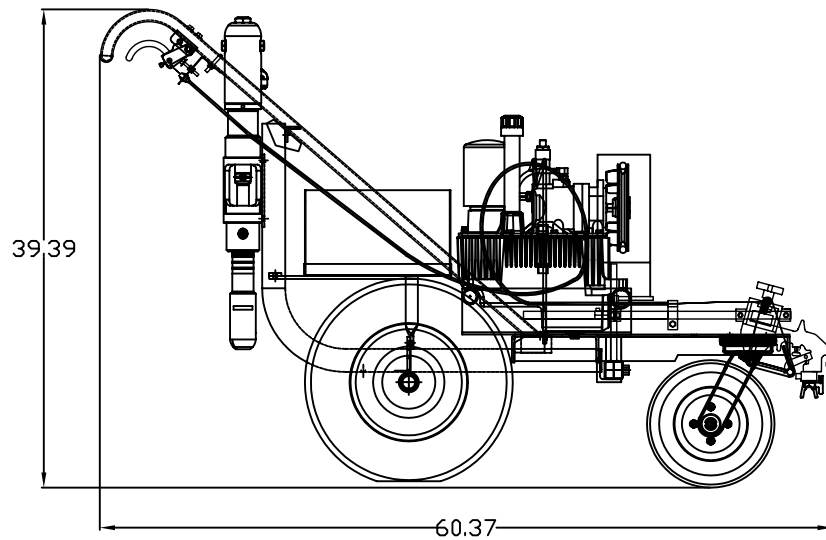
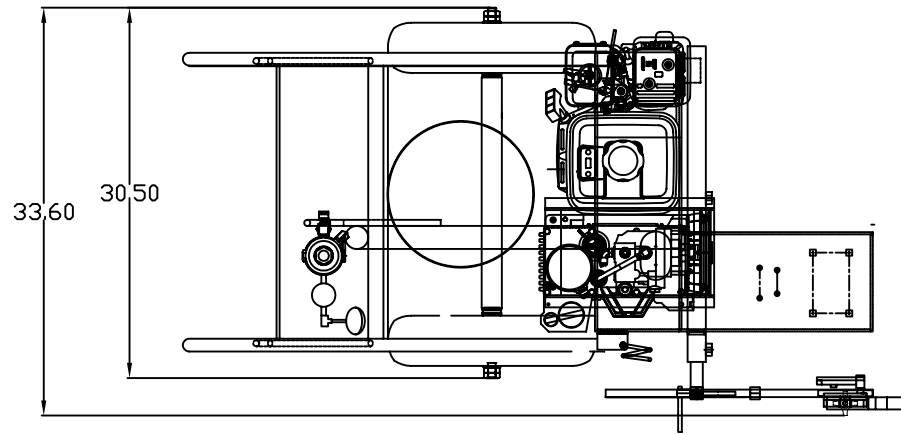
POWER PRO ASSEMBLY

SCALE:  
 NA

SIZE:  
 A

PAGE #:  
 1-3

REV:  
 E



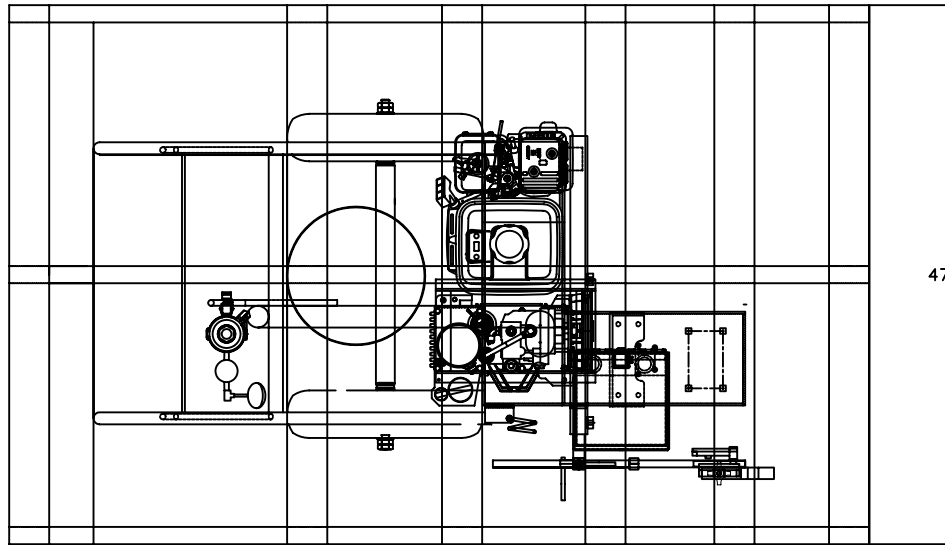
TOLERANCES UNLESS OTHERWISE SPECIFIED:  
 Angular  $\pm 2^\circ$   
 Fractional  $\pm 1/16"$   
 .X =  $\pm 1$   
 .XX =  $\pm 0.1$   
 .XXX =  $\pm 0.005$   
 .XXXX =  $\pm 0.0015$

CONFIDENTIAL  
 THIS DOCUMENT, INCLUDING ALL INFORMATION HEREIN, IS THE EXCLUSIVE AND CONFIDENTIAL PROPERTY OF ERNEST INDUSTRIES. THEREFORE THIS DOCUMENT IS NOT TO BE COPIED, REPRODUCED, OR DELIVERED TO OTHERS WITHOUT THE EXPRESS WRITTEN PERMISSION OF ERNEST INDUSTRIES.

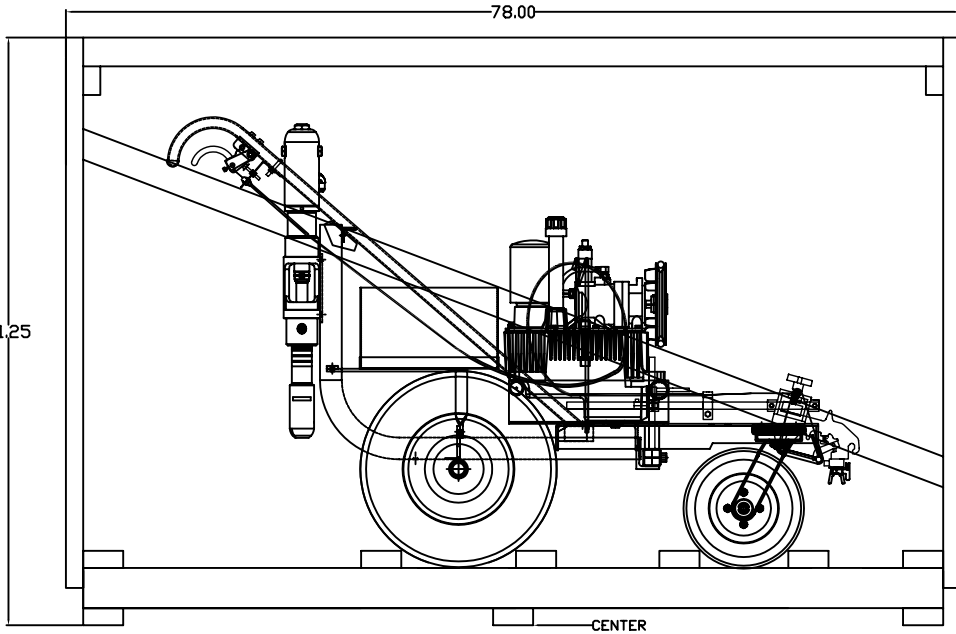
Kelly-Creswell  
 1221 Groop Rd.  
 Springfield, OH 45504  
 937-325-3978  
**KC** Since 1937

DRAWN BY	DATE
CDW	11-2-10
APPROVED BY	DATE APPROVED

TITLE: <b>POWER PRO</b>			
DESCRIPTION: <b>BASIC DIMENSIONS</b>			
DWG NO./PART NO. <b>POWER PRO ASSEMBLY</b>			
SCALE:	SIZE:	PAGE #:	REV:
N/A	A	2-3	A



47.00



78.00

51.25

CENTER

LENGTH (INCHES)	78"
WIDTH (INCHES)	47"
HEIGHT (INCHES)	51.25"
EST. SHIPPING WEIGHT	400 LBS
APPROX. CUBIC FEET	105'

TOLERANCES UNLESS OTHERWISE SPECIFIED:  
 Angular  $\pm 2^\circ$   
 Fractional  $\pm 1/16"$   
 .X =  $\pm 1$   
 .XX =  $\pm 0.1$   
 .XXX =  $\pm 0.005$   
 .XXXX =  $\pm 0.0015$

CONFIDENTIAL  
 THIS DOCUMENT, INCLUDING ALL INFORMATION HEREIN, IS THE EXCLUSIVE AND CONFIDENTIAL PROPERTY OF ERNEST INDUSTRIES. THEREFORE THIS DOCUMENT IS NOT TO BE COPIED, REPRODUCED, OR DELIVERED TO OTHERS WITHOUT THE EXPRESS WRITTEN PERMISSION OF ERNEST INDUSTRIES.

Kelly-Creswell  
 1221 Groop Rd.  
 Springfield, OH 45504  
 937-325-3978  
**KC** Since 1937

DRAWN BY  
 CDW  
 APPROVED BY

DATE  
 11-4-10  
 DATE APPROVED

TITLE: <b>POWER PRO</b>			
DESCRIPTION: <b>SHIPPING DIMENSIONS</b>			
DWG NO./PART NO. <b>POWER PRO ASSEMBLY</b>			
SCALE: N/A	SIZE: A	PAGE #: 3-3	REV: A