

TOLERANCES UNLESS OTHERWISE SPECIFIED:
 Angular $\pm 2^\circ$
 Fractional $\pm 1/16"$
 .X = ± 0.1
 .XX = ± 0.01
 .XXX = ± 0.005
 .XXXX = ± 0.0015

CONFIDENTIAL
 THIS DOCUMENT, INCLUDING ALL INFORMATION HEREIN, IS THE EXCLUSIVE AND CONFIDENTIAL PROPERTY OF ERNEST INDUSTRIES. THEREFORE THIS DOCUMENT IS NOT TO BE COPIED, REPRODUCED, OR DELIVERED TO OTHERS WITHOUT THE EXPRESS WRITTEN PERMISSION OF ERNEST INDUSTRIES.

Kelly-Creswell
 1221 Groop Rd.
 Springfield, OH 45504
 937-325-3978



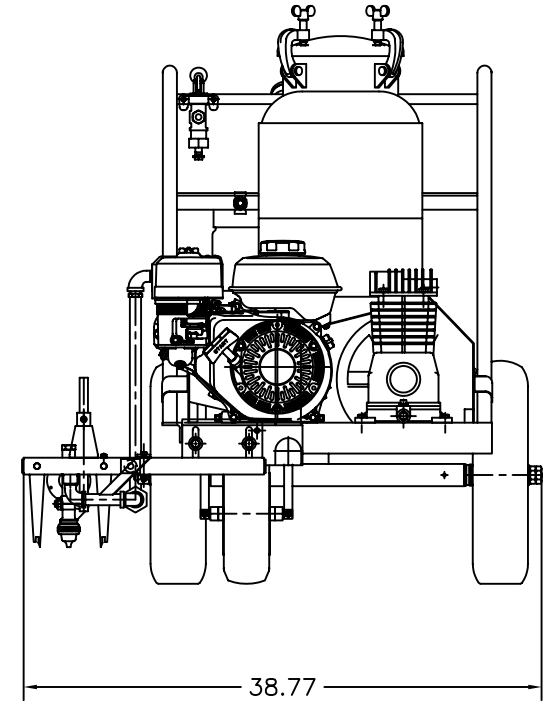
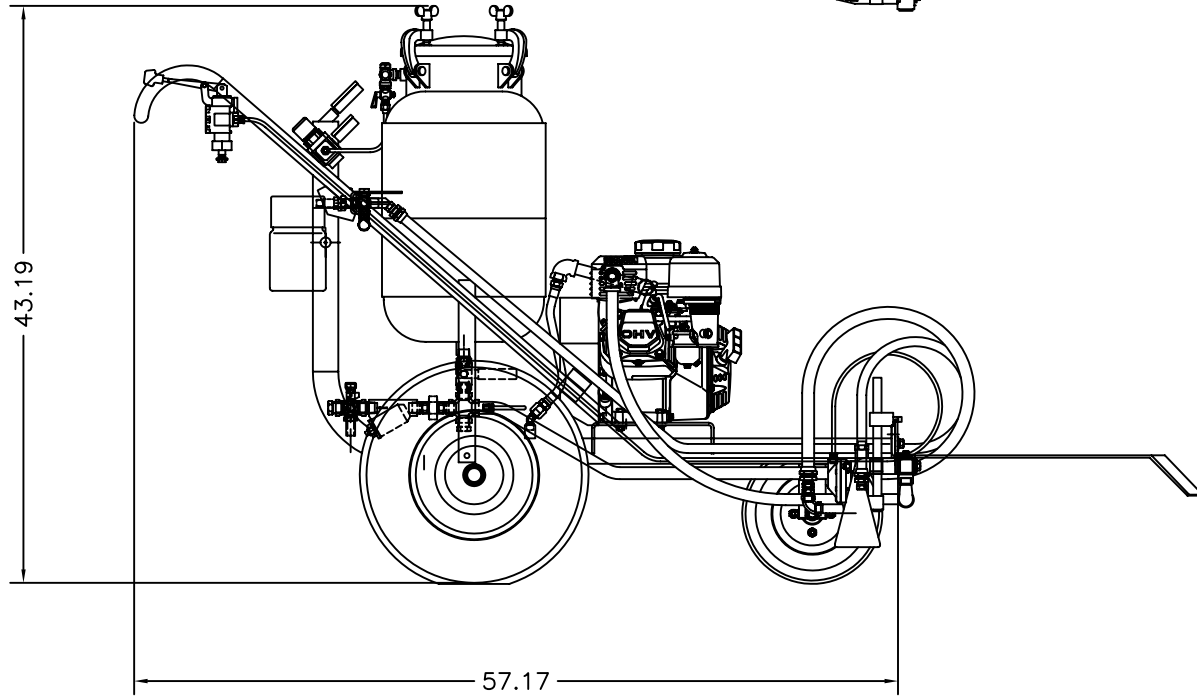
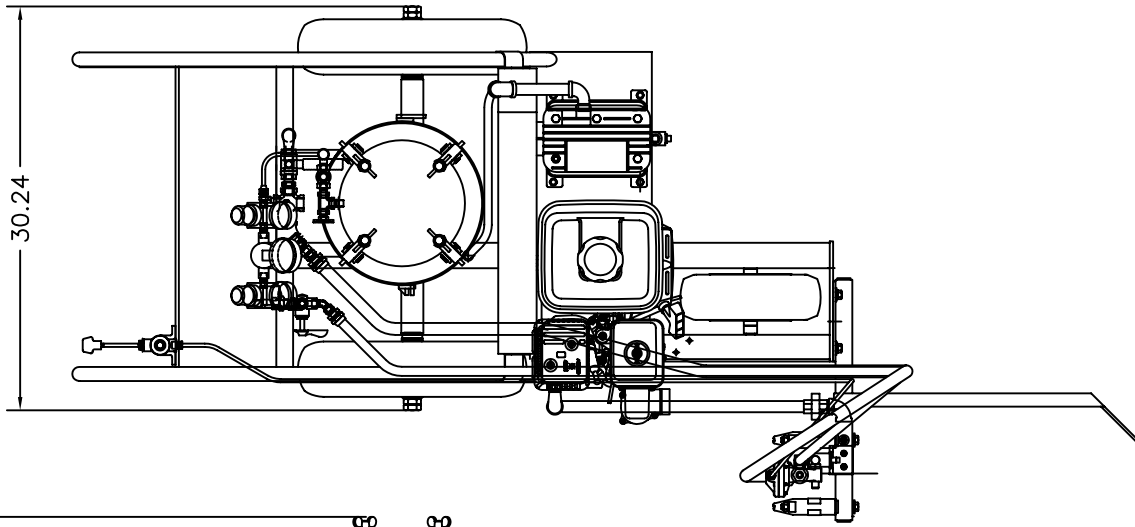
DRAWN BY
 MTS
 APPROVED BY

DATE
 05/20/09
 DATE APPROVED

TITLE:
 HEAVY-DUTY MODEL C
 DESCRIPTION:
 GENERAL CALLOUTS

DWG NO./PART NO.
 PO-HDC TOP LEVEL REV A

SCALE: NA	SIZE: NA	PAGE #: 1-3	REV: A
--------------	-------------	----------------	-----------



TOLERANCES UNLESS OTHERWISE SPECIFIED:
 Angular $\pm 2^\circ$
 Fractional $\pm 1/16''$
 .X = ± 0.1
 .XX = ± 0.01
 .XXX = ± 0.005
 .XXXX = ± 0.0015

CONFIDENTIAL
 THIS DOCUMENT, INCLUDING ALL INFORMATION HEREIN, IS THE EXCLUSIVE AND CONFIDENTIAL PROPERTY OF ERNEST INDUSTRIES. THEREFORE THIS DOCUMENT IS NOT TO BE COPIED, REPRODUCED, OR DELIVERED TO OTHERS WITHOUT THE EXPRESS WRITTEN PERMISSION OF ERNEST INDUSTRIES.

Kelly-Creswell
 1221 Groop Rd.
 Springfield, OH 45504
 937-325-3978



DRAWN BY
 MTS

APPROVED BY

DATE
 05/20/09

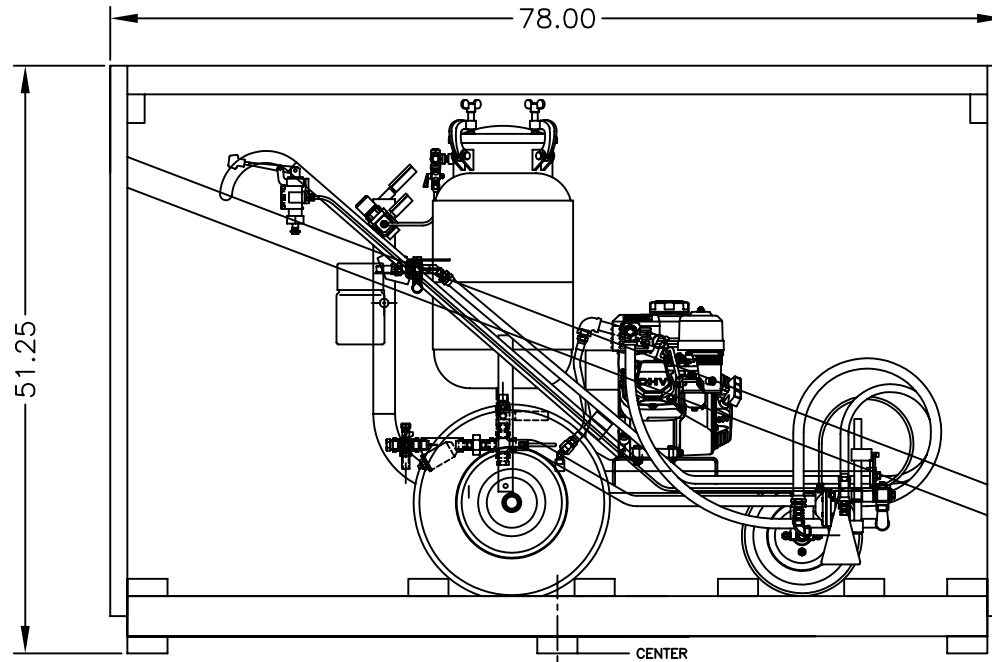
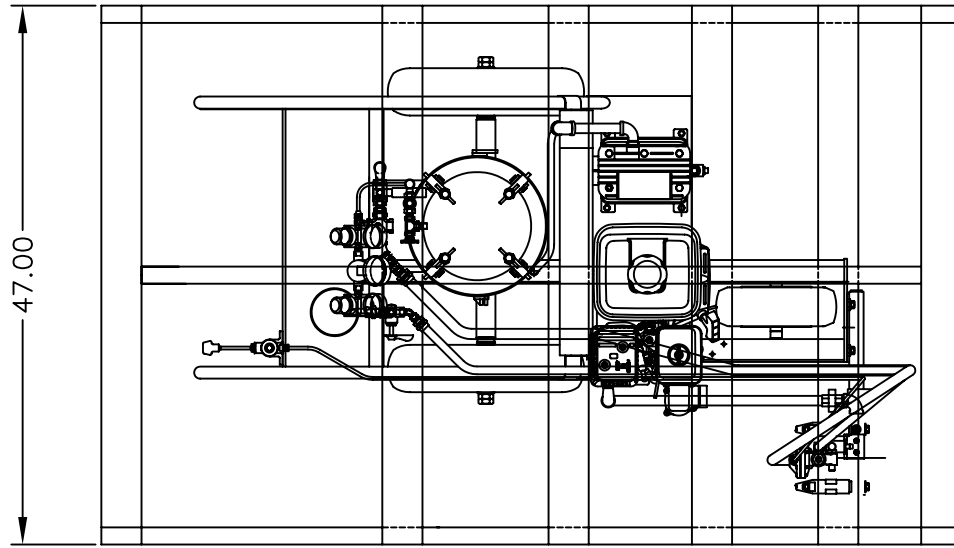
DATE APPROVED

TITLE:
 HEAVY-DUTY MODEL C

DESCRIPTION:
 BASIC DIMENSIONS

DWG NO./PART NO.
 PO-HDC TOP LEVEL REV A

SCALE: NA	SIZE: NA	PAGE #: 2-3	REV: A
--------------	-------------	----------------	-----------



LENGTH (INCHES)	78"
WIDTH (INCHES)	47"
HEIGHT (INCHES)	51.25"
EST. SHIPPING WEIGHT	400 LBS
APPROX. CUBIC FEET	105'

TOLERANCES UNLESS OTHERWISE SPECIFIED:
 Angular $\pm 2'$
 Fractional $\pm 1/16"$
 .X = $\pm .1$
 .XX = $\pm .01$
 .XXX = $\pm .005$
 .XXXX = $\pm .0015$

CONFIDENTIAL
 THIS DOCUMENT, INCLUDING ALL INFORMATION HEREIN, IS THE EXCLUSIVE AND CONFIDENTIAL PROPERTY OF ERNEST INDUSTRIES. THEREFORE THIS DOCUMENT IS NOT TO BE COPIED, REPRODUCED, OR DELIVERED TO OTHERS WITHOUT THE EXPRESS WRITTEN PERMISSION OF ERNEST INDUSTRIES.

Kelly-Creswell
 1221 Groop Rd.
 Springfield, OH 45504
 937-325-3678



DRAWN BY
 CDW
 APPROVED BY

DATE
 11-8-10
 DATE APPROVED

TITLE:
HEAVY-DUTY MODEL C
 DESCRIPTION:
SHIPPING DIMENSIONS

DWG NO./PART NO.
 PO-HDC TOP LEVEL REV A

SCALE: N/A	SIZE: A	PAGE #: 3-3	REV: A
---------------	------------	----------------	-----------