

NOTE:  
STRIPER SHOWN WITH OPTIONAL AIRPORT SIDE  
DELIVERY BEAD SYSTEM

TOLERANCES UNLESS  
OTHERWISE SPECIFIED:  
Angular  $\pm 2^\circ$   
Fractional  $\pm 1/16"$   
.X =  $\pm .1$   
.XX =  $\pm .01$   
.XXX =  $\pm .005$   
.XXXX =  $\pm .0015$

CONFIDENTIAL  
THIS DOCUMENT, INCLUDING  
ALL INFORMATION HEREIN, IS  
THE EXCLUSIVE AND  
CONFIDENTIAL PROPERTY OF  
ERNEST INDUSTRIES.  
THEREFORE THIS DOCUMENT IS  
NOT TO BE COPIED,  
REPRODUCED, OR DELIVERED  
TO OTHERS WITHOUT THE  
EXPRESS WRITTEN PERMISSION  
OF ERNEST INDUSTRIES.

Kelly-Creswell  
1221 Groop Rd.  
Springfield, OH 45504  
937-325-3976



DRAWN BY  
CDW

DATE  
11-10-10

APPROVED BY

DATE APPROVED

TITLE:

**B4 DOUBLE LINE STRIPER**

DESCRIPTION:

**GENERAL CALLOUTS**

DWG NO./PART NO.

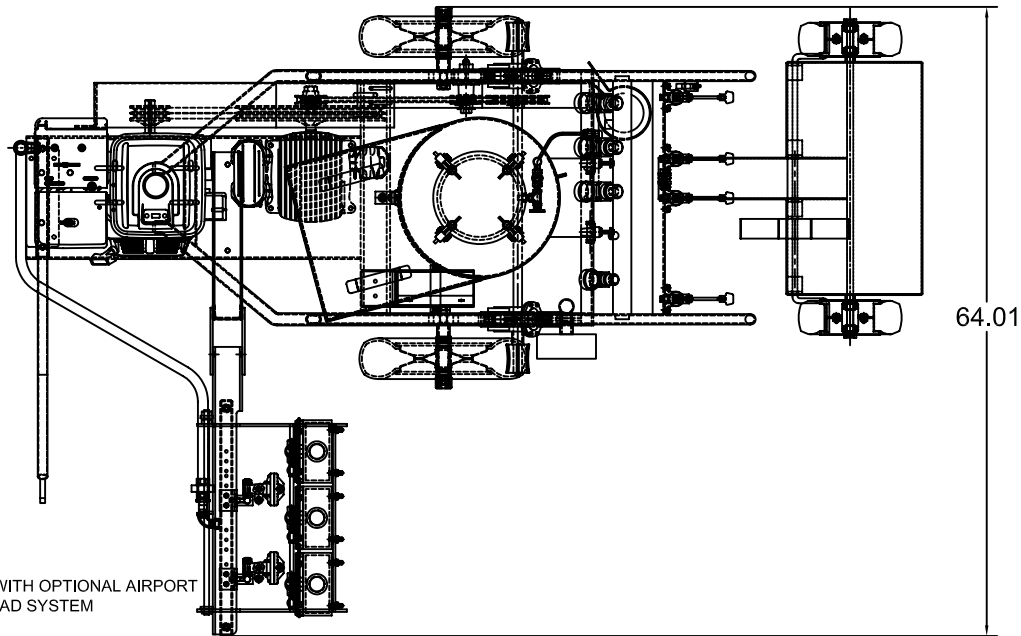
B4 TOP LEVEL A

SCALE:  
N/A

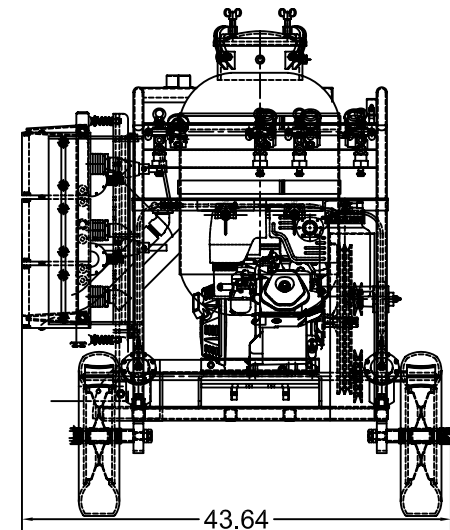
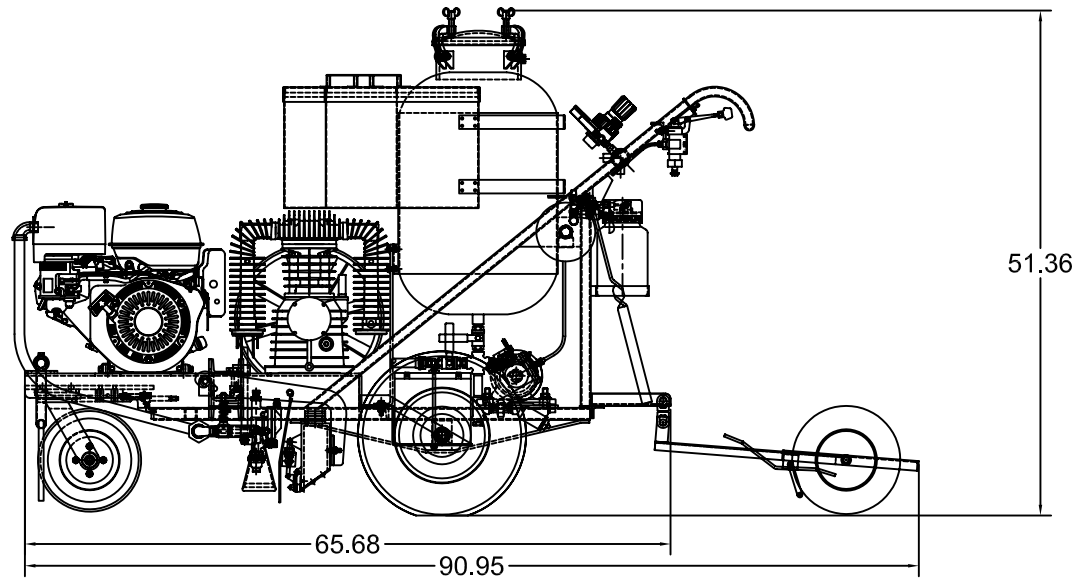
SIZE:  
A

PAGE #:  
1-3

REV:  
A



NOTE:  
STRIPER SHOWN WITH OPTIONAL AIRPORT  
SIDE DELIVERY BEAD SYSTEM



NOTE:  
SIDE DELIVERY OF STRIPER SHOWN IN  
TRANSPORT POSITON

TOLERANCES UNLESS  
OTHERWISE SPECIFIED:  
Angular  $\pm 2^\circ$   
Fractional  $\pm 1/16"$   
.X =  $\pm .1$   
.XX =  $\pm .01$   
.XXX =  $\pm .005$   
.XXXX =  $\pm .0015$

CONFIDENTIAL  
THIS DOCUMENT, INCLUDING  
ALL INFORMATION HEREIN, IS  
THE EXCLUSIVE AND  
CONFIDENTIAL PROPERTY OF  
ERNEST INDUSTRIES.  
THEREFORE THIS DOCUMENT IS  
NOT TO BE COPIED,  
REPRODUCED, OR DELIVERED  
TO OTHERS WITHOUT THE  
EXPRESS WRITTEN PERMISSION  
OF ERNEST INDUSTRIES.

Kelly-Creswell  
1221 Groop Rd.  
Springfield, OH 45504  
937-325-3976

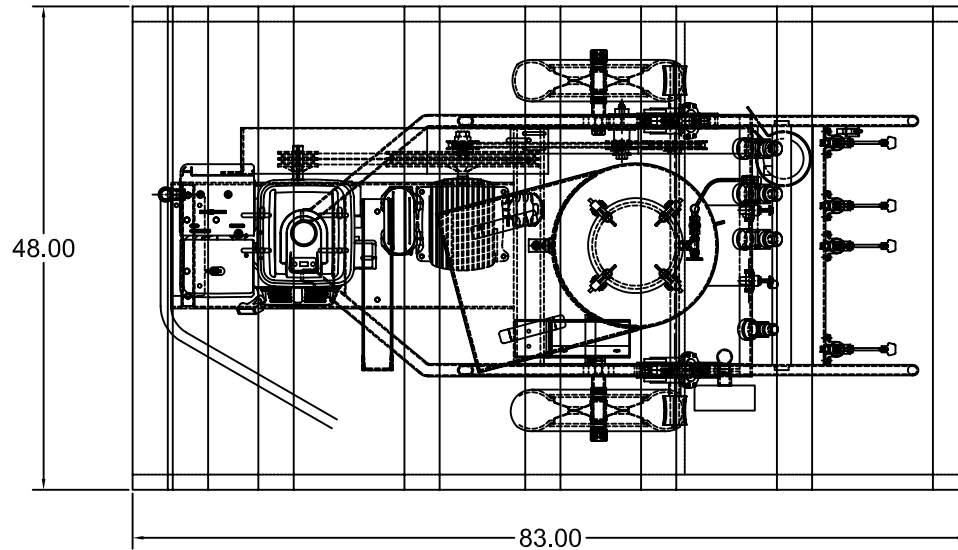


DRAWN BY CDW	DATE 11-9-10
APPROVED BY	DATE APPROVED

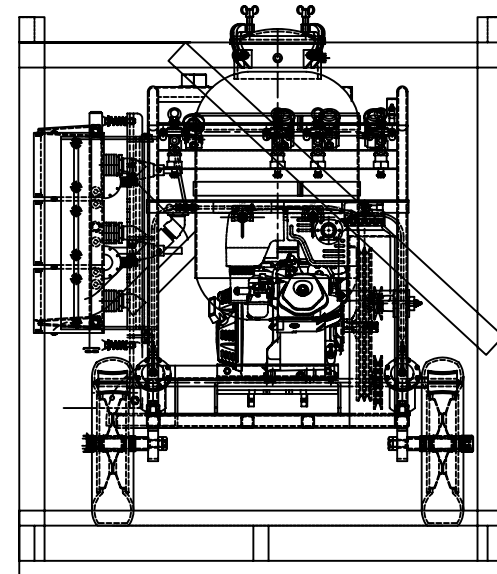
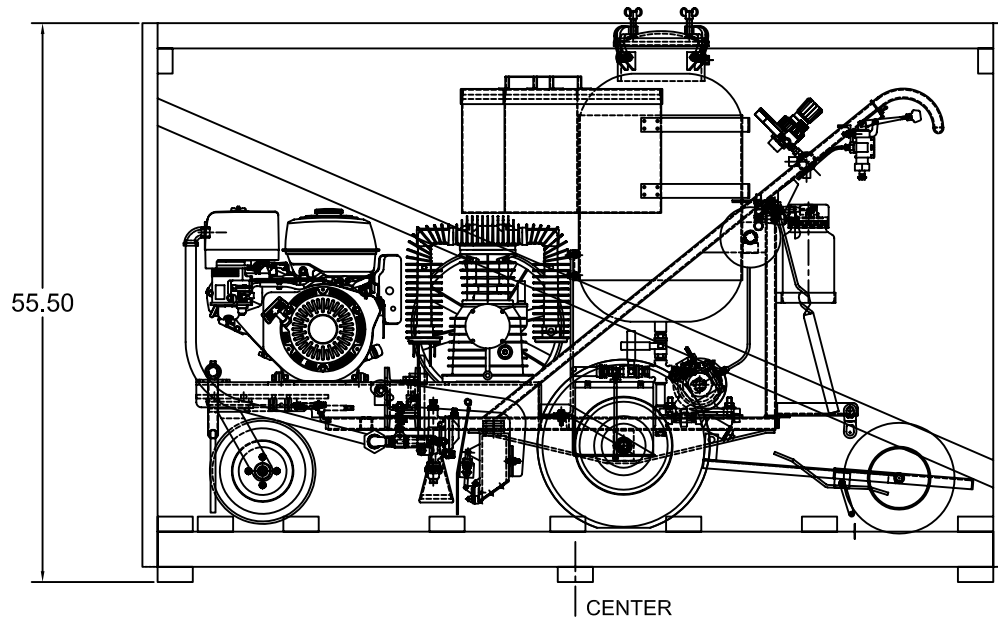
TITLE:  
**B4 DOUBLE LINE STRIPER**

DESCRIPTION:  
**BASIC DIMENSIONS**

DWG NO./PART NO. B4 TOP LEVEL A	SIZE: A	PAGE #: 2-3	REV: A
------------------------------------	------------	----------------	-----------



LENGTH (INCHES)	83"
WIDTH (INCHES)	48"
HEIGHT (INCHES)	55.5"
EST. SHIPPING WEIGHT	800 LBS
APPROX. CUBIC FEET	125'



TOLERANCES UNLESS OTHERWISE SPECIFIED:  
 Angular  $\pm 2^\circ$   
 Fractional  $\pm 1/16"$   
 .X =  $\pm .1$   
 .XX =  $\pm .01$   
 .XXX =  $\pm .005$   
 .XXXX =  $\pm .0015$

CONFIDENTIAL  
 THIS DOCUMENT, INCLUDING ALL INFORMATION HEREIN, IS THE EXCLUSIVE AND CONFIDENTIAL PROPERTY OF ERNEST INDUSTRIES. THEREFORE THIS DOCUMENT IS NOT TO BE COPIED, REPRODUCED, OR DELIVERED TO OTHERS WITHOUT THE EXPRESS WRITTEN PERMISSION OF ERNEST INDUSTRIES.

Kelly-Creswell  
 1221 Groop Rd.  
 Springfield, OH 45504  
 937-325-3976



DRAWN BY  
 CDW  
 APPROVED BY

DATE  
 11-9-10  
 DATE APPROVED

TITLE:  
**B4 DOUBLE LINE STRIPER**

DESCRIPTION:  
**SHIPPING DIMENSIONS**

DWG NO./PART NO.  
 B4 TOP LEVEL

SCALE:	SIZE:	PAGE #:	REV:
N/A	A	3-3	A